

HIGH CYCLE GRILLES

AT-9HC/AT-9SHC

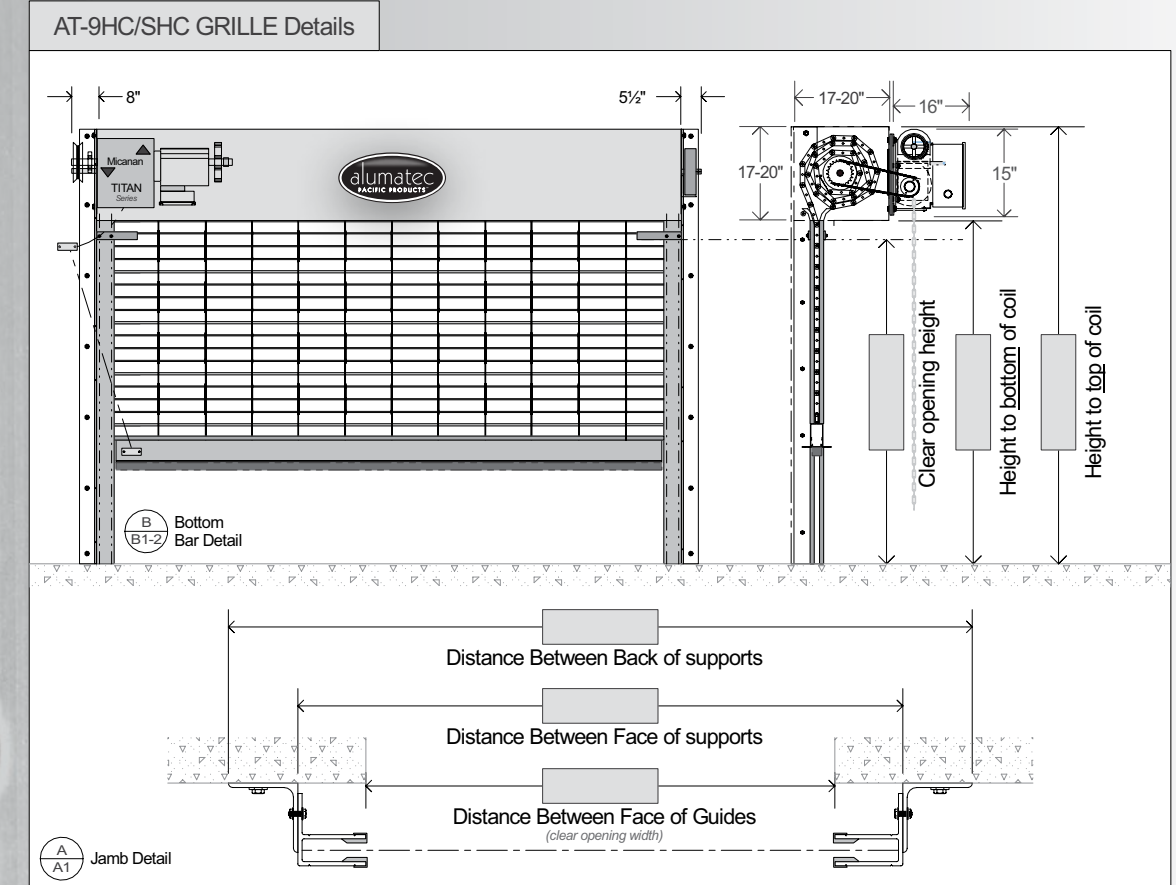
DESIGN SPECIFICATIONS

High cycle grilles required in high traffic applications and when remote access is required.

High cycle grilles will allow airflow, visibility and duration for parking garage and any vehicle entry and exit applications.

AT-9HC (100K cycle)

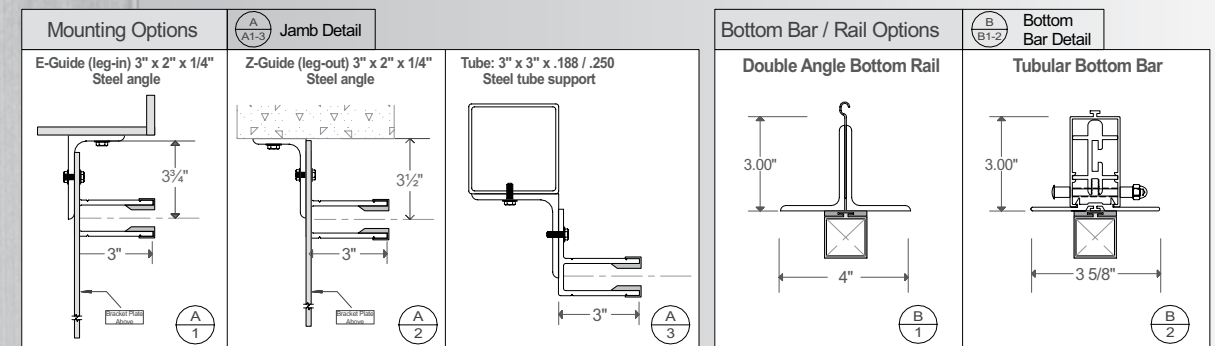
- I. Zinc plate copper eyelet construction links assemblies
- II. Sleeved horizontally every 8th rod
- III. 9" (3" & 6" available) on center link spacing with .125 thick center link sandwiched by two .080 thick double links
- IV. 3" deep high cycle aluminum guide with rigid PVC wear-strips
- V. 100K cycle-life counterbalance spring assembly
- VI. Heavy duty commercial grade 100K cycle flange bearing



AT-9SHC (250K cycle)

- I. Zinc plate copper eyelet construction links assemblies
- II. Sleeved horizontally every 4th rod
- III. 9" (3" & 6" available) on center link spacing with .125 thick center link sandwiched by two .080 thick double links
- IV. 3" deep high cycle aluminum guide with rigid PVC wear-strips
- V. 250K cycle-life counterbalance spring assembly
- VI. Heavy duty commercial grade 250K cycle flange bearing

- VII. Spring-LESS barrel assembly (eliminating spring assembly cycle-life)
- VIII. GAPOSA™ 12RPM safety brake (to prevent free-fall)



Finish Options:

Grille Curtain Finish Options:

- Mill finish
- Clear Satin anodized
- Dark Bronze anodized
- Black anodized

Bottom Bar / Rail & Guides Finish Options:

- Mill finish (curtain option only)
- Clear Satin anodized
- Dk. Bronze anodized
- Black anodized
- Curtain RAL # _____ powder coated
- Bottom Rail & Guides RAL # _____ powder coated

Motor Operator Options:

- Good:**
(30 cycles per hour) Micanan™ PRO-GHB 1/2 to 1.5 H/P 220 volt 3 phase Gear head operator with 55 / 80mm gear box, solenoid brake, high cycle application, rated 100k+ cycle life*, with timer to close, cycle counter, auxiliary hand chain, FRABA™ NEMA 4 photo cells
- Better:**
(50 cycles per hour) Micanan™ PRO-VFD (variable speed drive) 1-2 H/P 220 volt 3 phase Gear head operator with 70mm gear box, electric gear brake, high cycle application, rated 100k+ cycle-life*, timer to close, cycle counter, auxiliary hand chain, FRABA™ NEMA 4 photo cells, & cycle counter
- Best:**
(60+ cycles per hour) Micanan™ PRO-FDG (TITAN Series) 1-2 H/P gear head, motor operator (208/230 volt 1-3 phase), with FRABA™ NEMA 4 photo cells, cycle counter (2-million cycle guarantee**), with auxiliary hand chain, monitored FRABA NEMA 4 photo cells, & cycle counter

* Under normal speed and reduction gearing
** Guaranteed by motor manufacture and under normal operation, speed, and gearing